

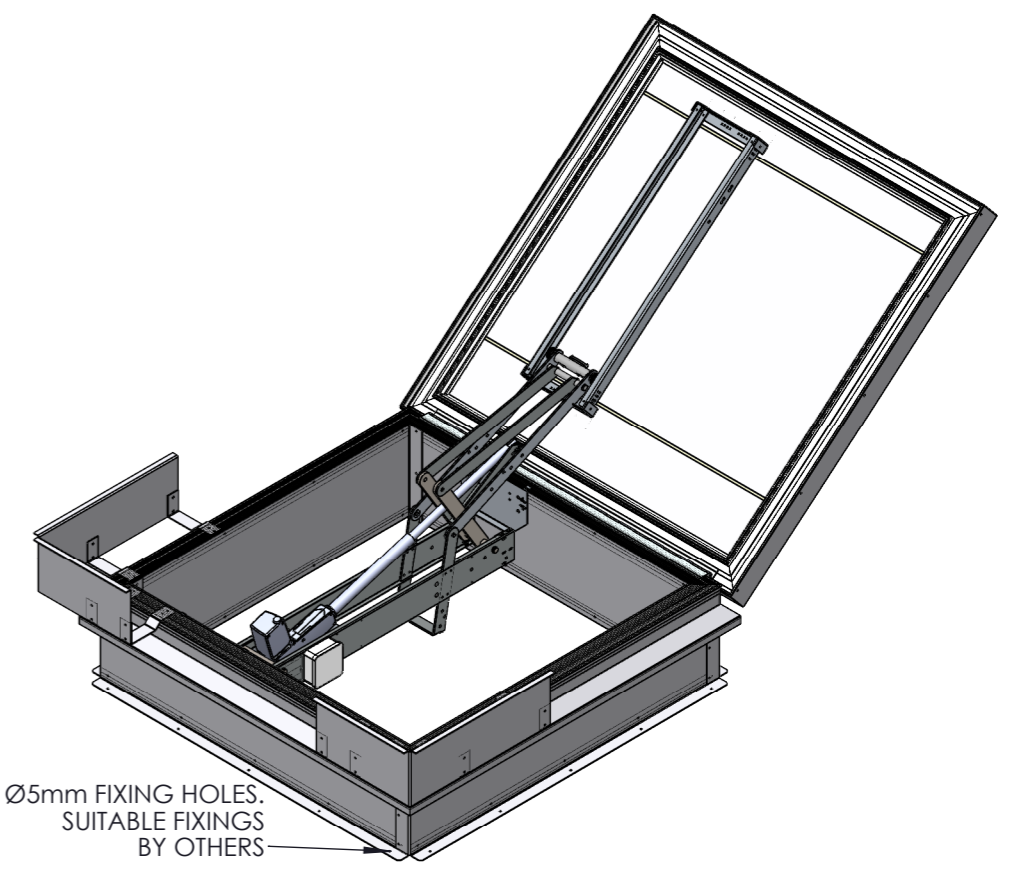
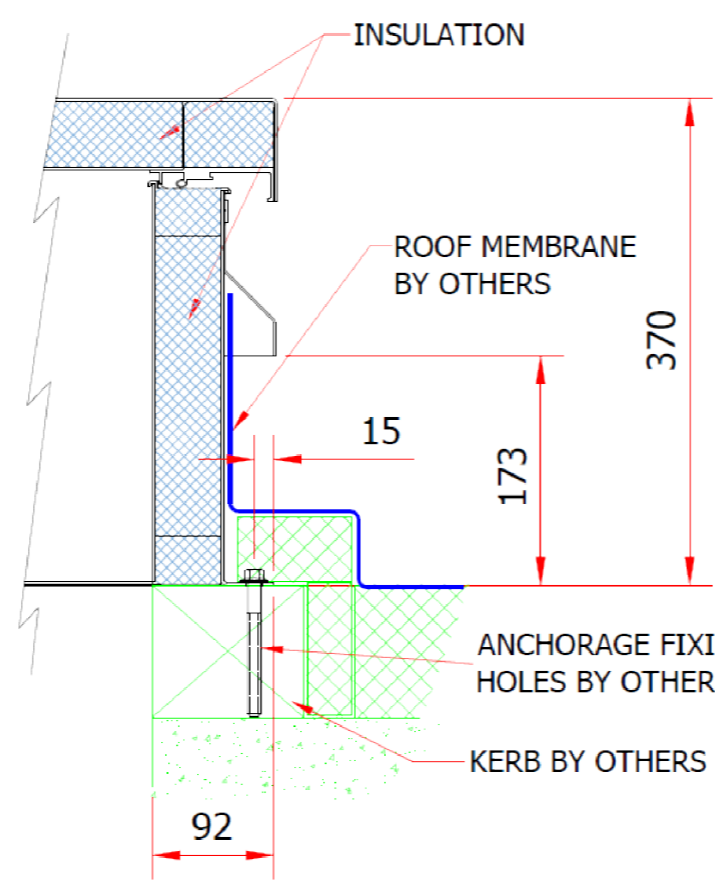
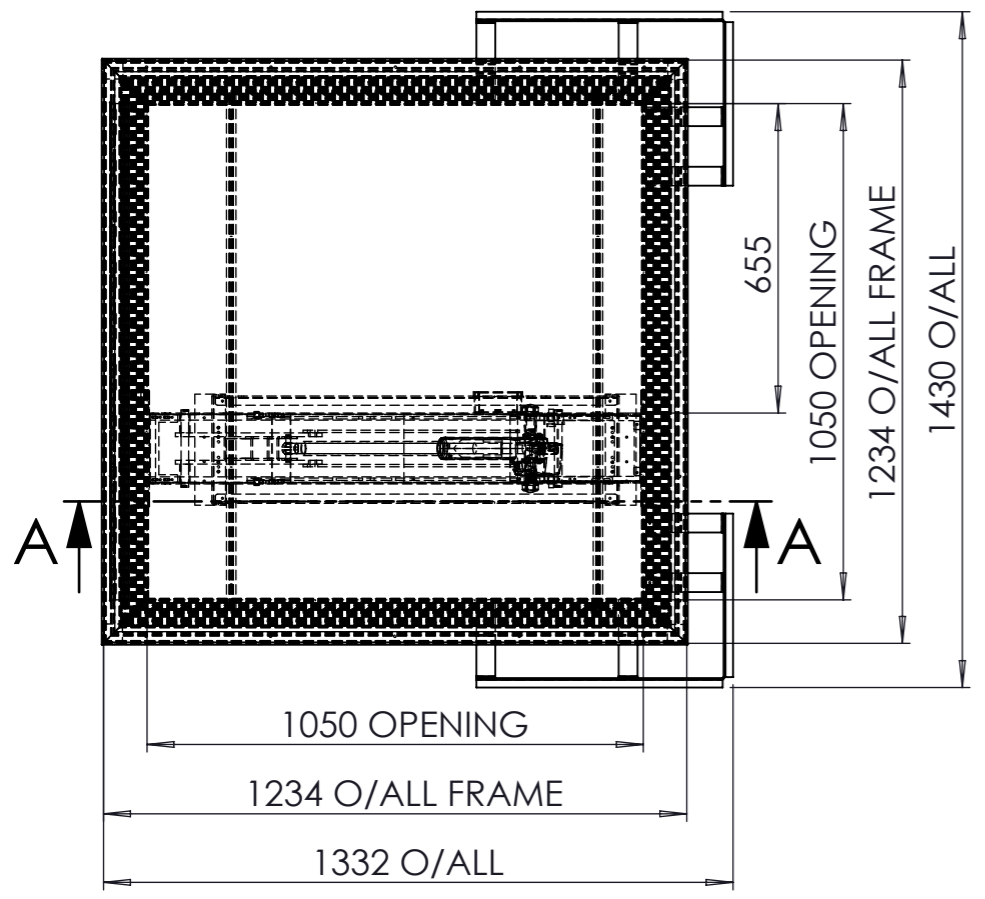
CONFIDENTIAL

### SRHP-AOV 300mm UPSTAND

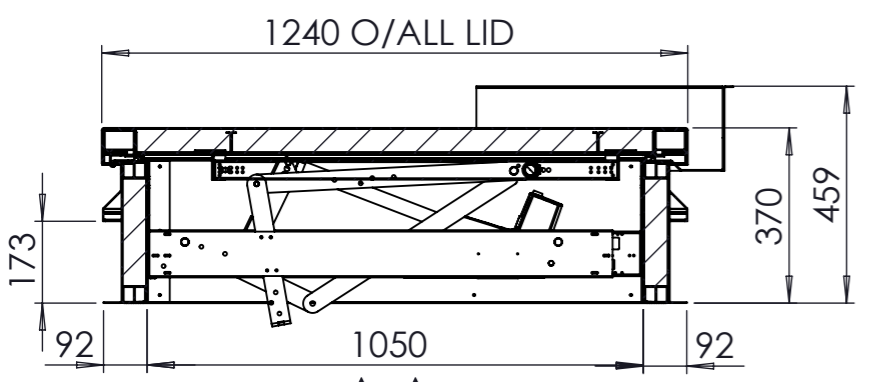
SRHP-AOV 140°  
 SIZE: 1050 X 1050 mm  
 UPSTAND HEIGHT: 300 mm  
 MATERIAL: ALUMINIUM  
 INSULATION: 50mm INSULATION

INTERNAL COLOUR: MILL FINISH  
 EXTERNAL COLOUR: MILL FINISH

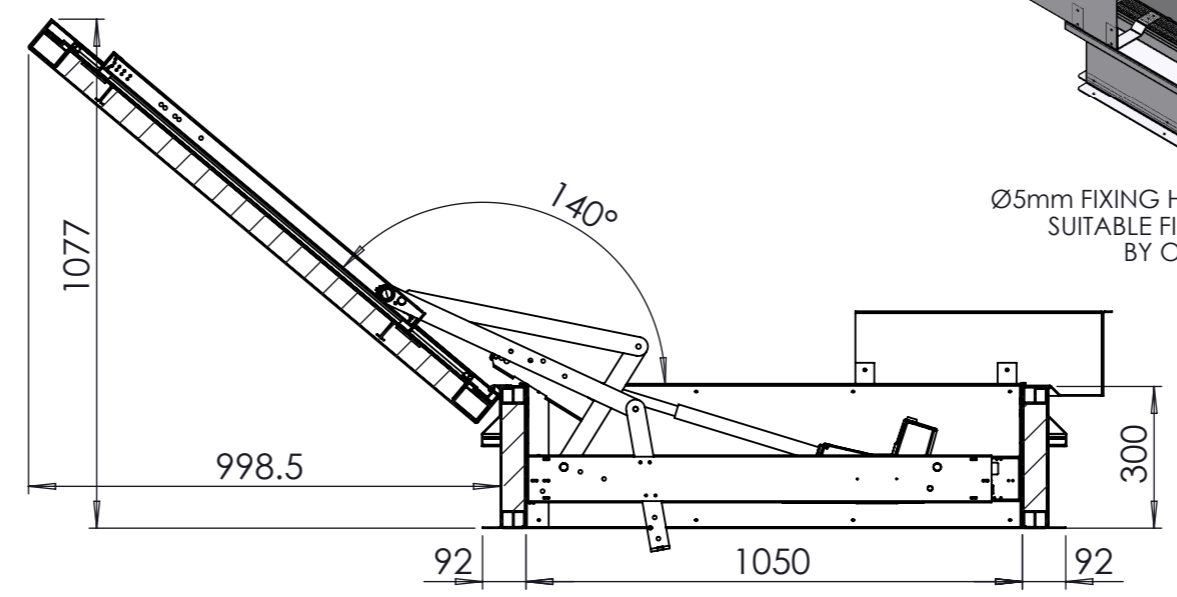
APPROX WEIGHT: 60.4kg



Ø5mm FIXING HOLES.  
 SUITABLE FIXINGS  
 BY OTHERS



A-A  
CLOSED VIEW



A-A  
OPEN VIEW

The article shown is also the subject of:  
 Patent rights  
 Registered design right  
 Unregistered rights  
 The drawing is a design document  
 Patent pending

				DIMENSIONS ARE IN MILLIMETERS U.O.S TOLERANCES: X +/- 2mm, X.X +/- 0.2mm DO NOT SCALE DRAWING - IF IN DOUBT ASK		A3	
		NAME		DATE:		TITLE:	
DRAWN						SRHP-AOV 1050 X 1050 mm	
CHECK'D							
APP'VD							
DEBUR AND BREAK SHARP EDGES		MATERIAL: N/A		DWG NO.		SCALE: 1:15	
		FINISH:		SRHP-AOV-105-105-01-0001		REVISION: A	
		WEIGHT: 60.4 KG		STATUS:		SHEET: 1 of 1	