

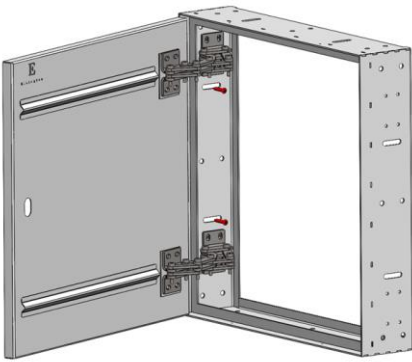


Elkington

# Elkington WallEx

Aesthetically-pleasing facade hatch in stainless steel that can be discreetly integrated into both exterior and interior walls

## Product Sheet



Elkington WallEx is a discreet facade hatch for modern architecture. Custom-made in stainless steel, with optional dimensions and customized depth for the perfect integration into both exterior and interior walls. Each hatch is unique.

*Please Note that this is a general product sheet and that specific details may vary between models, materials and options.*

## Specifications

### Material

- Stainless steel (AISI 304).
- The hatch can be covered with any material with a maximum thickness of 30mm.

### Dimensions

- Bespoke sizes available
- Standard frame depth is 130mm.

### Opening methods

- Equipped with concealed hinges that are side hung as a standard feature (also available top or bottom hung, depending on overall weight).

### Locks

- Lock alternatives: triangle lock, fireman lock or cylinder lock.

### Options

- Burglar grille: Security protection and reinforcement.

### Areas of use

- Access to electrical panels, pipes and other technical installations.
- Smoke evacuations requiring unique integration located in the building's exterior.
- Access to ventilation and technical spaces in public or commercial buildings.

