



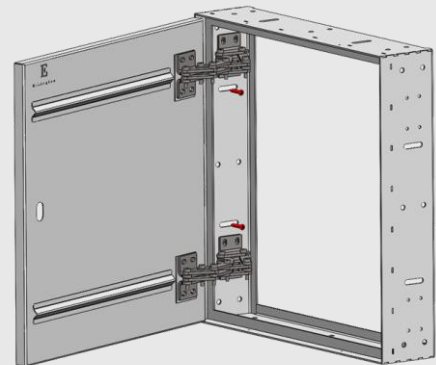
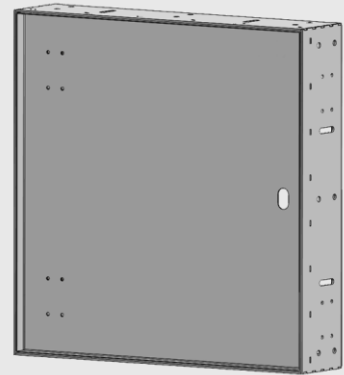
Elkington

# Elkington WallEx

Aesthetically-pleasing facade hatch in stainless steel that can be discreetly integrated into both exterior and interior walls

## Installation Instructions

1. Screw the hinge side in place with a suitable screw.
2. Check and confirm you have an even gap between the door and frame.
3. Check that the door and frame are completely straight.
4. Screw the remaining sides in place.
5. Check that the door can be opened, closed and locked without any interference.



*Always follow the specific installation instructions included with your order. Instructions may vary depending on model, material, and selected options. This document provides general recommendations for the safe and correct installation of the hatch.*