

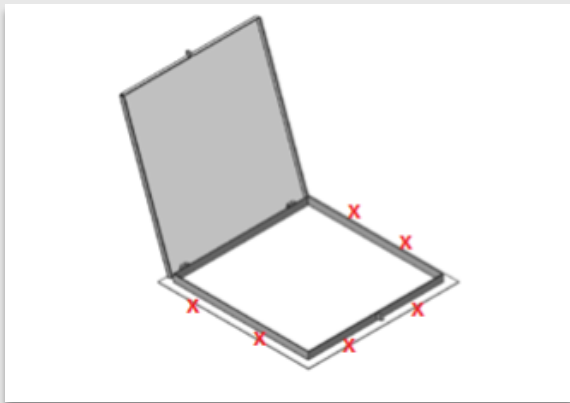


Elkington

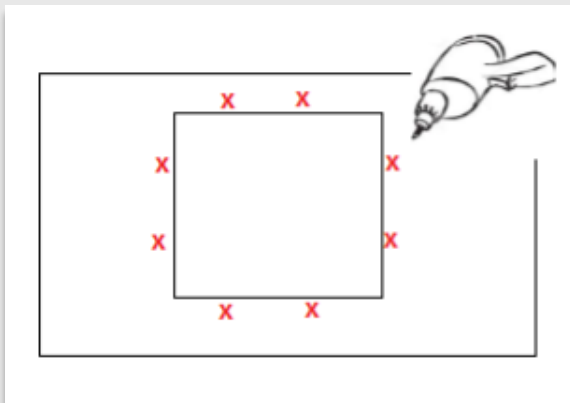
Solid Överfalsad

Robust and versatile checker plate ground access hatch with lid and frame

Installation Instructions



1. Open the hatch and position it over the opening.
2. Mark where you want to pre-drill, then remove the hatch.



3. Drill the holes where marked.

Please note that the frame can also be cast into concrete.



4. Position the frame over the opening and secure it using suitable fixings.
5. Close the hatch.

Always follow the specific installation instructions included with your order. Instructions may vary depending on model, material, and selected options. This document provides general recommendations for safe and correct installation of the unit.